

# Slanetrac HT1000 Track Dumper Specification

**Engine:** 2 cylinder Lombardini 25 LD 425-2

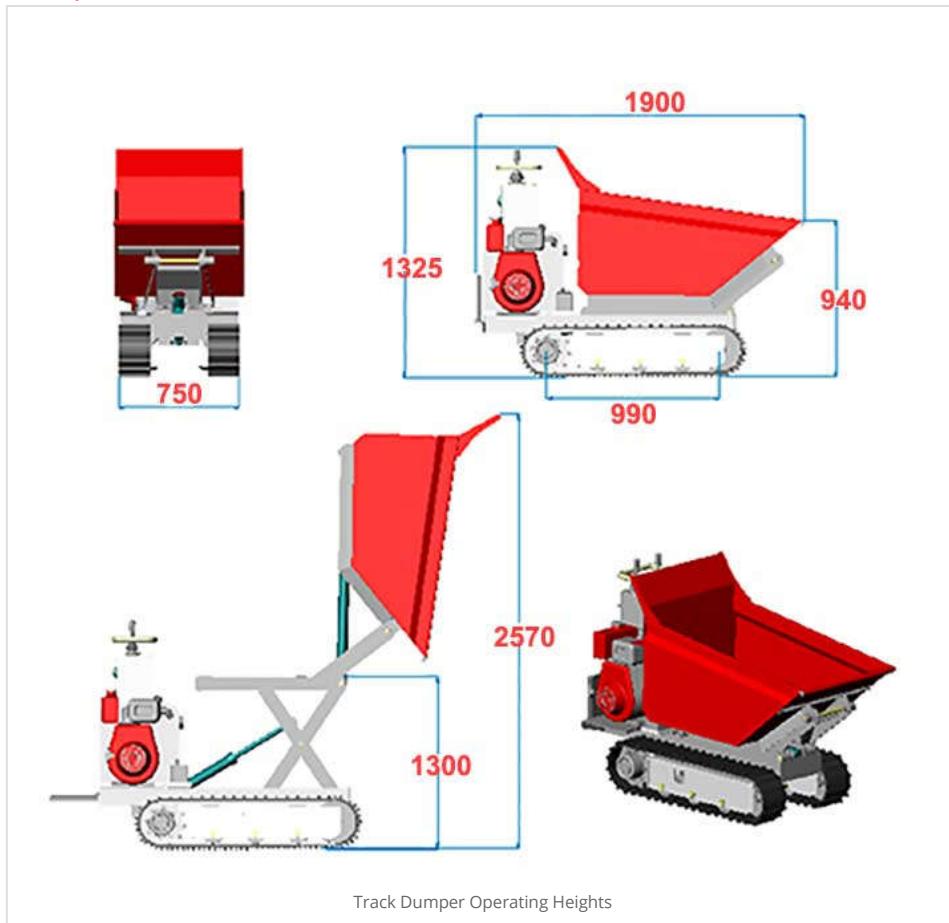
**Power:** 19hp (14kw)

**Starting:** Electric

**Transmission:** Hydraulic

**Speed:** 4.5 km/h

**Gradability:** 36% - 50%



**Undercarriage:** Rubber tracks c/w planetary drive and negative brakes

**Operating Pressure:** 2440 psi (170 bar)

**Max Pump Flow:** 36 ltr/min

**Fuel Tank:** 5.5 ltr

**Hydraulic Oil Tank:** 30 ltr

**Load Capacity:** 1 ton

**Unladen Weight:** 600kg

**Contact Pressure:** 0.25kg/cm<sup>2</sup>

**Laden Weight:** 1600kg

**Contact Pressure:** 0.55kg/cm<sup>2</sup>