

Technical sheet :

MLT 737-130 PS+



 **MANITOU**
HANDLING YOUR WORLD

| Capacities | | Imperial |
|--|-----|--|
| Max. capacity | Q | 8157 lb |
| Max. lifting height | h3 | 22 ft 8 in |
| Max. outreach | | 12 ft 10 in |
| Reach at max. height | | 3 ft 3 in |
| Breakout force with bucket | | 6236 daN |
| Weight and dimensions | | |
| Unladen weight (with forks) | | 16865 lb |
| Ground clearance | m4 | 1 ft 4 in |
| Wheelbase | y | 9 ft 3 in |
| Overall length to carriage (with hitch) | l11 | 16 ft 4 in |
| Overall length to carriage (without hitch) | l3 | 15 ft 9 in |
| Front overhang | | 4 ft |
| Overall width | b1 | 7 ft 10 in |
| Overall cab width | b4 | 3 ft 1 in |
| Overall height | h17 | 7 ft 10 in |
| Tilt-down angle | a5 | 134 ° |
| Tilt-up angle | a4 | 12 ° |
| External turning radius (over tyres) | Wa1 | 12 ft 11 in |
| Standard tires | | Alliance - A580 - 460/70 R24 159A8 |
| Drive wheels (front / rear) | | 2 / 2 |
| Steering wheels (front / rear) | | 2 / 2 |
| Performances | | |
| Lifting | | 6.80 s |
| Lowering | | 7.10 s |
| Extension | | 5.80 s |
| Retraction | | 5.20 s |
| Crowd | | 3.20 s |
| Dump | | 2.80 s |
| Engine | | |
| Engine brand | | Deutz |
| Engine nom | | Stage V |
| Engine model | | TCD 3.6 L4 |
| Number of cylinders - Capacity of cylinders | | 4 - 221 in ³ |
| I.C. Engine power rating / Power | | 129 Hp / 95 kW |
| Max. torque / Engine rotation | | 369 ft/lbs @1600 rpm |
| Drawbar pull (Laden) | | 7800 daN |
| Reversible fan | | Standard |
| Engine cooling system | | 4 radiators (water + intercooler + hydraulic oil + transmission oil) |
| HVO validated (according to EN 15940 standard) | | Yes |
| Transmission | | |
| Transmission type | | Torque converter |
| Gearbox | | Powershift |
| Number of gears (forward / reverse) | | 6 / 3 |
| Max. travel speed (may vary according to applicable regulations) | | 25 mph |
| Differential lock | | Limited slip differential on front axle |
| Parking brake | | Automatic negative parking brake |
| Service brake | | Oil-immersed multi-discs braking on front & rear axles |
| Hydraulics | | |
| Hydraulic pump type | | Variable displacement pump |
| Hydraulic flow - Pressure | | 40 US gpm - 3916 PSI |
| Flow sharing distributor | | Standard |
| Tank capacities | | |
| Hydraulic oil | | 36 US gal |
| Fuel tank | | 32 US gal |
| Diesel Exhaust fluid (AdBlue® type) | | 3 US gal |
| Noise and vibration | | |
| Noise at driving position (LpA) tested following NF EN 12053 nom | | 72 dB |
| Environmental noise (LWA) | | 105 dB |
| Vibration to whole hand/arm | | < 2.50 m/s ² |
| Miscellaneous | | |
| Tractor homologation | | Tractor homologation |
| Safety cab homologation | | ROPS - FOPS level 2 cab |
| Controls | | JSM |

Optional tires tab

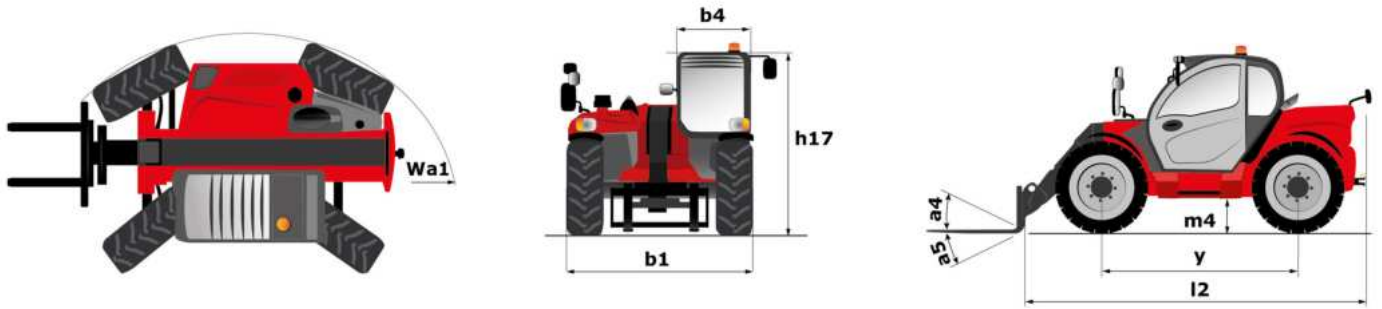
| Optional tires | Overall height | Overall width |
|--|----------------|---------------|
| FIRESTONE - R8000 UT - 460/70 R24 159A8 | 7 ft 10 in | 7 ft 11 in |
| TRELLEBORG - TH400 - 460/70 R24 159A8 | 7 ft 9 in | 7 ft 10 in |
| TRELLEBORG - TH400 - 500/70 R24 164A8 | 7 ft 10 in | 7 ft 11 in |
| MICHELIN - XMCL - 500/70 R24 164A8 | 7 ft 10 in | 8 ft |
| MICHELIN - BIBLOAD - 460/70 R24 159A8 | 7 ft 9 in | 7 ft 10 in |
| MICHELIN - BIBLOAD - 500/70 R24 164A8 | 7 ft 10 in | 8 ft |
| MICHELIN - XHA - 15.5 R25 158A2 | 7 ft 9 in | 7 ft 10 in |
| NOKIAN - TRI STEEL - 460/65 R24 156A8 | 7 ft 9 in | 7 ft 10 in |
| MICHELIN - XMCL - 460/70 R24 159A8 | 7 ft 9 in | 7 ft 10 in |
| VREDESTEIN - ENDURION - 460/70 R24 159A8 | 7 ft 10 in | 7 ft 11 in |
| VREDESTEIN - ENDURION - 500/70 R24 164A8 | 7 ft 11 in | 8 ft |
| TRELLEBORG - TH500 - 460/70 R24 159A8 | 7 ft 9 in | 7 ft 10 in |
| ALLIANCE - A585 - 460/70 R24 159A8 | 7 ft 9 in | 7 ft 10 in |

Options / Finishing

S : Standard / O : Optional / - : Not available

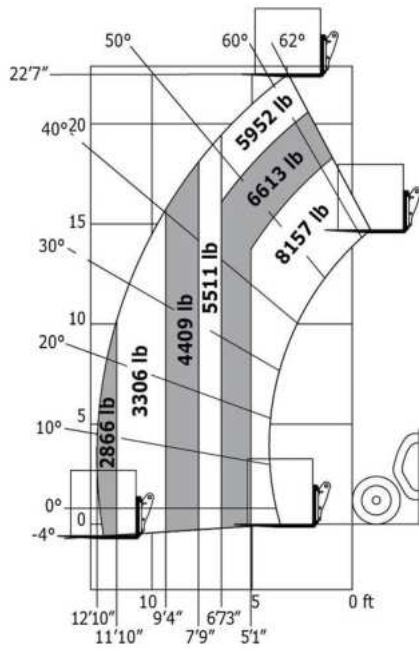
| | Classic | Premium | Elite |
|--|---------|---------|-------|
| Lifting function | | | |
| Attachment hydraulic locking | O | O | O |
| Intelligent hydraulics | O | O | O |
| Regenerative Hydraulics | O | O | O |
| Operator station | | | |
| *Active CRC* boom suspension | O | O | S |
| Air conditioning with automatic adjustment | O | O | S |
| Air suspension cloth-covered seat (GRAMMER) | O | S | - |
| Automatic wheel alignment | O | O | S |
| Bluetooth USB car radio with extra microphone (100 W) | O | O | S |
| Bluetooth USB car radio with integrated microphone (100 W) | O | S | - |
| Electric mirror with de-icing | O | O | S |
| Extra front wiper | O | S | S |
| Harmony screen | S | S | - |
| HighView camera | O | O | O |
| Low frequency air suspension cloth-covered seat (GRAMMER) | O | O | S |
| Low frequency air suspension cloth-covered seat with heating (GRAMMER) | O | O | O |
| Manual air conditioning | O | S | - |
| Mechanical cloth-covered seat (GRAMMER) | S | - | - |
| SafeView camera pack (x2) | O | O | O |
| Storage box behind the seat | O | O | O |
| Tuner car radio (50 W) | S | - | - |
| Vision screen 7" | O | O | S |
| Motorization/Power | | | |
| Continuous flow hydraulics | O | O | S |
| Hand throttle | O | O | S |
| Secondary functions | | | |
| Automatic Greasing System (AGS) - chassis | O | O | O |
| Lighting | | | |
| LED+ (4 extra work lights) | O | O | O |
| LED front road lights (x2) | O | O | O |
| LED front work lights on cab (x2) | O | S | S |
| LED rear work lights on cab (x2) | O | S | S |
| LED work lights on the boom (x2) | O | O | O |
| Work lights on cab (x4) | S | - | - |

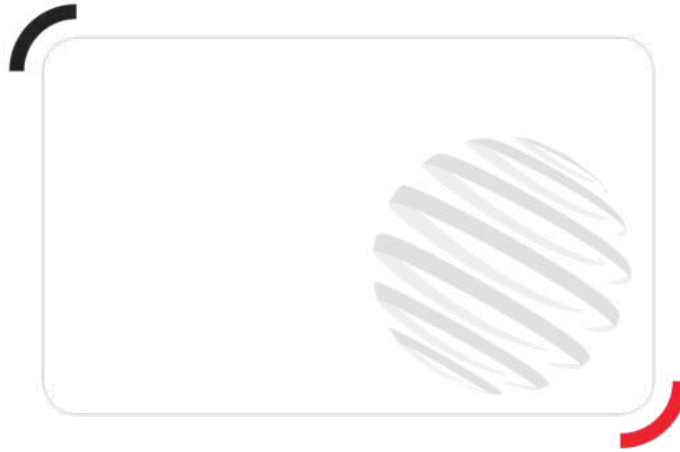
MLT 737-130 PS+ - Dimensional drawing



MLT 737-130 PS+ - Load chart

Machine on tyres with forks Imperial





Head Office

B.P. 249 - 430 rue de l'Aubinière

44150 Ancenis Cedex - France

Tel: +33 (0)2 40 09 10 11 - Fax: +33 (0)2 40 09 10 97

www.manitou.com



This publication provides a description of the configuration versions and options for Manitou products, which may differ for equipment. The equipment presented in this brochure may be part of a series, as an option, or it may not be available, depending on the versions. Manitou reserves the right, at any time and without notice, to amend the specifications described and represented. The specifications provided do not bind the manufacturer. For more details, please contact your Manitou agent. This is not a contractually binding document. The presentation of the products is not contractually binding. List of specifications non-exhaustive. The logos as well as the visual identity of the company are owned by Manitou and cannot be used without authorisation. All rights reserved. The photos and diagrams contained in this brochure are only provided for consultation and information purposes.

MANITOU BF SA - Limited company with board of directors - Share capital: 39,668,399 euros - 857 802 508 RCS Nantes