

### Weights

Operating weight with 40cm bucket (ISO 6016)	1201 kg
Transport mass (no attachment)	1102 kg
Ground pressure	28.80 kPa

### Engine

Make / model	Schabmueller / Electric AM (TSA200)
Voltage	32VAC
Maximum power @ 3000 RPM	7.5 kW
Maximum torque @ 2400 RPM	30.0 Nm

### Powertrain Battery

Model	Li-Ion
Voltage	51.8 VDC
Capacity	11.52 kWh (2x5.76)

### Hydraulic System

Pump type	Triple gear pump
Pump capacity	25.00 L/min
Auxiliary flow	20.00 L/min

### Performance

Digging force, dipperstick (ISO 6015)	5550 N
Digging force, bucket (ISO 6015)	8294 N
Drawbar pull	9905 N
Travel speed, low range	1.8 km/h
Travel speed, high range	2.9 km/h

### Slew System

Boom swing, left	67.0°
Boom swing, right	64.0°
Slew rate	10.2 RPM

### Fluid Capacities

Hydraulic reservoir	2.60 L
Hydraulic system	9.40 L

### Environmental

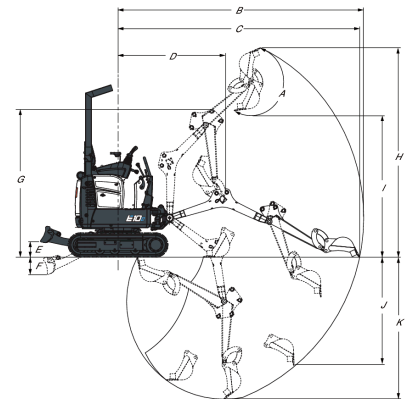
Noise level LpA(EU Directive 2006/42/EC)	72 dB(A)
Noise level LWA(EU Directive 2000/14/EC)	85 dB(A)
Whole body vibration (ISO 2631-1)	0.68 ms <sup>-2</sup>
Hand-arm vibration (ISO 5349-1)	0.70 ms <sup>-2</sup>

### Standard Features

710 mm dozer blade / 1100 mm extended	Machine IQ (telematic)
180 mm rubber track	Object handling device (lifteye)
Control console locks	On-board charger 230V
Double acting auxiliary hydraulics with quick couplers	Retractable seat belt
Electronically activated track expansion	Seat
Electric Motor	Two-speed travel
Horn	TOPS canopy <sup>1</sup>
Hydraulic oil cooler	Vandalism protection
Hydraulically expandable undercarriage from 710 to 1100 mm	Work LED light
Lithium-ion batteries	Warranty: 24 months, 2000 hours (whichever occurs first)

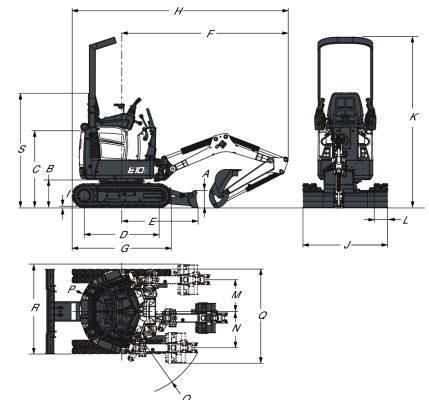
1. Tip Over Protective Structure (TOPS) – Meets requirements of ISO 12117

### Working Range



(A)	196.0°	(G)	1899.0 mm
(B)	3145.0 mm	(H)	2685.0 mm
(C)	3093.0 mm	(I)	1818.0 mm
(D)	1374.0 mm	(J)	1383.0 mm
(E)	196.0 mm	(K)	1820.0 mm
(F)	230.0 mm		

### Dimensions



(A)	219.5 mm	(J)	710.0 mm
(B)	363.0 mm	(K)	1100.0 mm
(C)	991.5 mm	(L)	2209.0 mm
(D)	968.0 mm	(M)	180.0 mm
(E)	987.0 mm	(N)	413.0 mm
(F)	2153.0 mm	(O)	471.0 mm
(G)	1280.0 mm	(P)	1121.0 mm
(H)	2793.0 mm	(Q)	550.0 mm
(I)	16.0 mm	(S)	1490.0 mm

### Options

Auxiliary on arm	Travel motion alarm
Beacon	Demolition package (arm, bucket cylinder covers & HD travel hoses guard)
Supercharger unit 400V	Grease Gun w/ holder